

Mechanical Brachytherapy Transfer Board

Model:YC-DF161MRI



FEATURES

- There are rails on the transfer bed board, which can be transferred by means of pushing, pulling;
- We can provide the special material used for the MR and carbon fiber material used for the CT;
- The bed has the safety lock design and the height can be adjusted;
- The carbon fiber material transfer bed is operate very easily;
- Seamless transport is possible between Linac, CT and the MR room.

LEGS SUPPORT

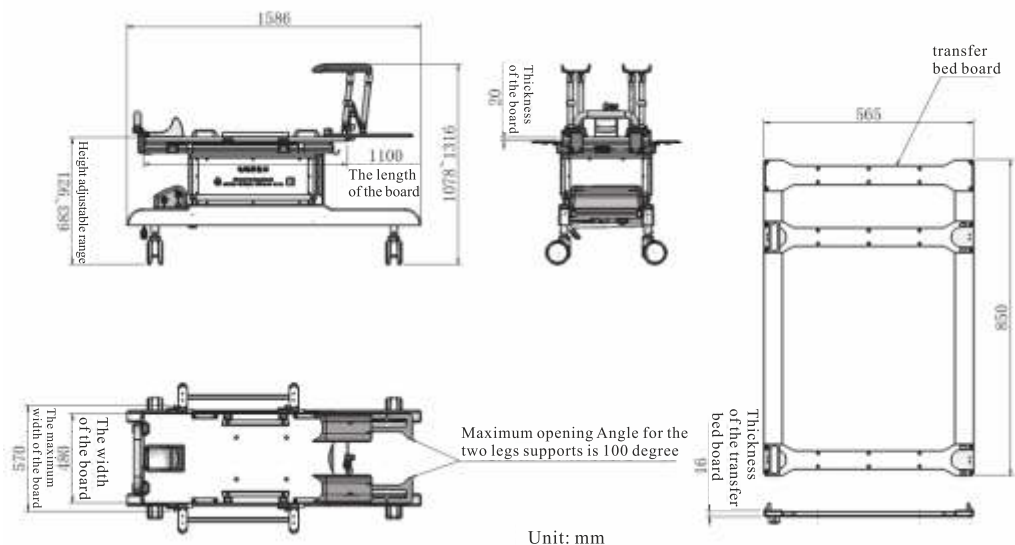
CARBON FIBER

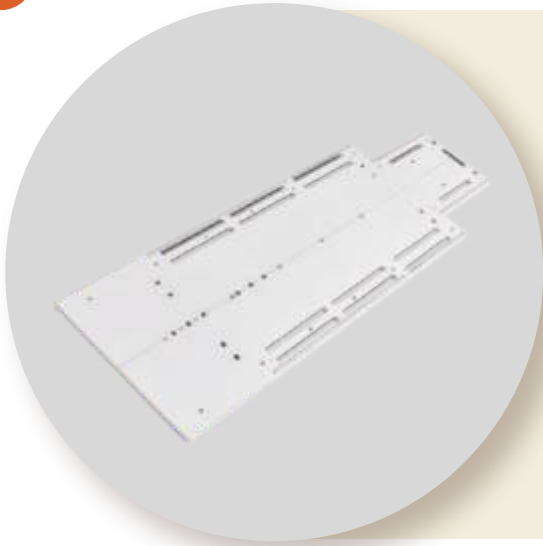


transfer bed board



PARAMETERS





MR type of All-In-One Board

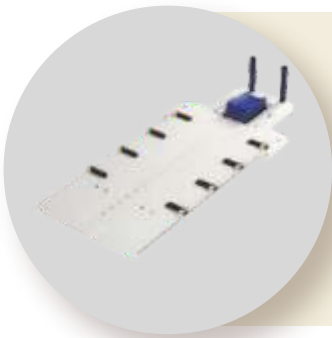
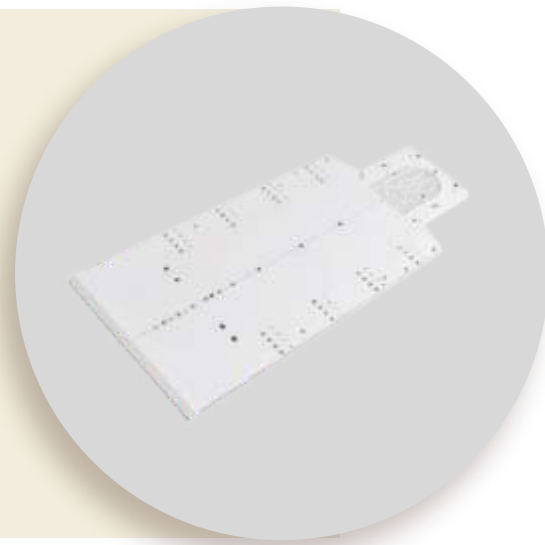
YC-DF135MR

1. Special material for MR.
2. Two groups of fixed position for 4-point Belly-Pelvis Sheet and easy adjustment.
3. When reset the vacuum fixation mat, the hemispheric repositioner can show the precise position.
4. There are 100cm rulers on both sides.
5. Compatible with U-shaped Head Mask; 3-point Head Mask; Head-Neck-Shoulders Mask; Belly-Pelvis Mask and vacuum fixation mat.
6. Configuration: six high-accuracy head supports; two hand grips; one leg separator and two vacuum fixation mat blockers.
7. Shape size: 1450*500*20mm.

MR type of All-In-One Board

YC-DF136T-MR

1. Special material for MR.
2. Two groups of fixed position for T-type Belly-Pelvis Sheet and easy adjustment.
3. Compatible with U-shaped Head Mask; T-type Head-Neck-Shoulders Mask; T-type Neck-Shoulders-Breast Mask and T-type Belly-Pelvis Mask.
4. Configuration: six high-accuracy head supports; two hand grips; one leg separator and two vacuum fixation mat blockers.
5. Shape size: 1380*540*20mm.



MR type of CT Bed Panel

1. Special material for MR.
2. Light-weight and clear imaging.
3. Semi-circular openings with letter indicating on both sides, easy to reset.
4. Width is 530mm; thickness is 20mm.

Bed Board for MRI YC-DF134MR

1. Special material for MRI.
2. Width is 530mm, thickness is 20mm.
3. The bed board is marked with capital letters for easy reset.



YC-DF136MR

Basic Supine Head
Baseplate for MRI

